

**OAKMONT CHAMPION®
ELONGATED RIGHT HEIGHT™ TOILET**

2738.016

- Vitreous china
- EverClean™ anti-microbial glaze (available Summer 2006)
- Low-consumption (6.0 Lpf/1.6 gpf)
- Features the **Champion® Flushing System** performance platform
- 3" non-adjustable, flapper-free flush valve
- 16-1/2" rim height for accessible applications
- Elongated siphon action jetted bowl
- 2-3/8" fully-glazed trapway
- Speed Connect™ tank/bowl coupling system
- Chrome-plated trip lever
- Sweeping pier on bowl
- 100% factory flush tested
- 2 bolt caps
- 10 year warranty



3101.016 Elongated Right Height™ Bowl

4272.016 Tank

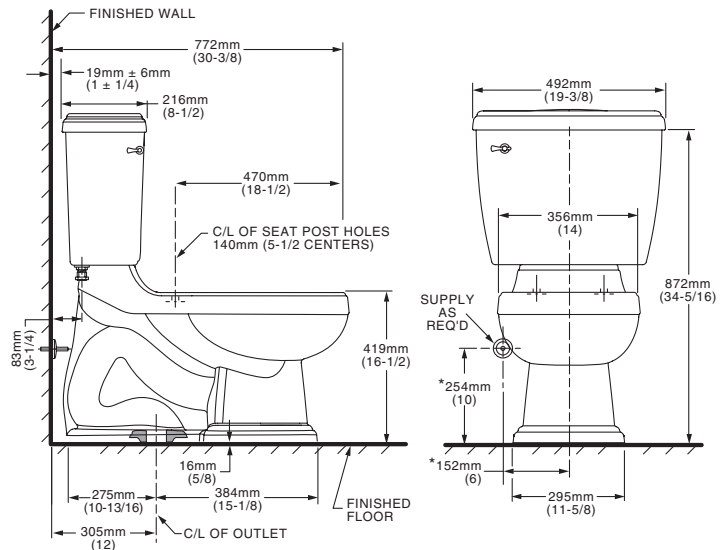
Nominal Dimensions:

772 x 492 x 872mm
(30-3/8" x 19-3/8" x 34-5/16")

Fixture only, seat and supply by others

**Compliance Certifications -
Meets or Exceeds the Following Specifications:**

- ASME A112.19.2M for Vitreous China Fixtures - includes Flush Performance, Ball Pass Diameter, Trap Seal Depth and all Dimensions
- Los Angeles Department of Water and Power Supplementary Purchase Specification for Non-Adjustability - July, 2003 revision



To Be Specified:

- Color:
 - White Bone Silver Linen Black
- Seat: (please specify color)
 - Champion® Slow Close Elongated #5325.010
 - Rise & Shine Elongated #5324.019
 - Laurel Elongated #5311.012
- Supply with stop:

NOTES:

THIS TOILET IS DESIGNED TO ROUGH-IN AT A MINIMUM DIMENSION OF 305MM (12") FROM FINISHED WALL TO C/L OF OUTLET. SUPPLY NOT INCLUDED WITH FIXTURE AND MUST BE ORDERED SEPARATELY.
* DIMENSION SHOWN FOR LOCATION OF SUPPLY IS SUGGESTED.

IMPORTANT: Dimensions of fixtures are nominal and may vary within the range of tolerances established by ANSI Standard A112.19.2. These measurements are subject to change or cancellation. No responsibility is assumed for use of superseded or voided pages.

